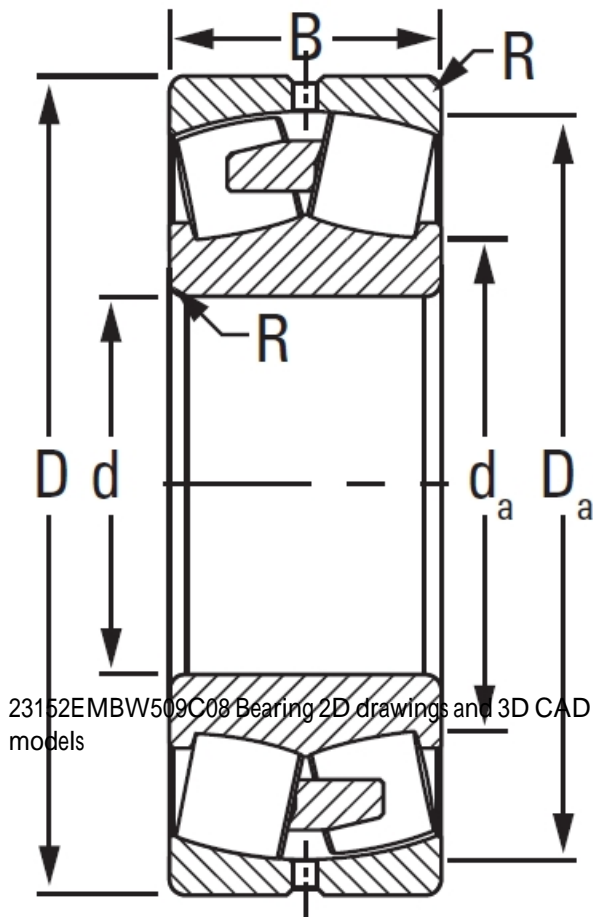


23152EMBW509C08 TIMKEN Fafnir Spindle Angular Contact Ball Bearings

Bearing No. 23152EMBW509C08



Design Unit	METRIC
Bearing Weight	90.000 Kg
Cage Type	EMB
UPC Code	087796176966
Cage Material	Brass
Superseded Part	23152YMBW509C08
d	260 mm
D	440 mm
B - Inner Ring Width	144 mm
B - Outer Ring Width	144 mm
R - Inner Ring To Clear Radius ¹	3.0 mm
r - Outer Ring To Clear Radius ²	3.0 mm
da - Inner Ring Backing Diameter	301.000 mm
Da - Outer Ring Backing Diameter	400.000 mm
C0 - Static Radial Rating	3930000 N
C1(2) - Dynamic Radial Rating (Two-Rows)	2680000 N
e - ISO Factor ³	0.3
Y0 - ISO Factor ⁴	2.23
Y1 - ISO Factor ⁵	3.31
Y2 - ISO Factor ⁶	2.18
Reference Thermal Speed Rating (Grease)	830



HFG INTERNATIONAL A/S

Reference Thermal Speed Rating (Oil) ⁷	930
Cg - Geometry Factor ⁸	0.1162