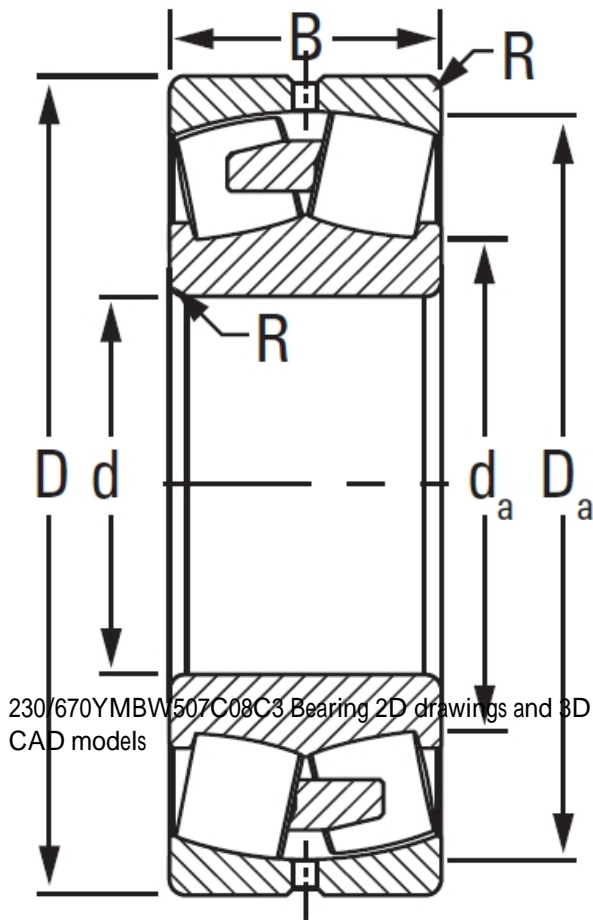


## 230/670YMBW507C08C3 TIMKEN Fafnir Spindle Angular Contact Ball Bearings

Bearing No. 230/670YMBW507C08C3



230/670YMBW507C08C3 Bearing 2D drawings and 3D CAD models

Design Unit	METRIC
Bearing Weight	596.000 Kg
Cage Type	YMB
UPC Code	087796304369
Cage Material	Brass
d	670.000 mm
D	980.000 mm
B - Inner Ring Width	230 mm
B - Outer Ring Width	230.000 mm
R - Inner Ring To Clear Radius <sup>1</sup>	6.000 mm
r - Outer Ring To Clear Radius <sup>2</sup>	6.000 mm
da - Inner Ring Backing Diameter	744.000 mm
Da - Outer Ring Backing Diameter	911.000 mm
C0 - Static Radial Rating	15800000 N
C1(2) - Dynamic Radial Rating (Two-Rows)	7890000 N
e - ISO Factor <sup>3</sup>	0.22
Y0 - ISO Factor <sup>4</sup>	3.12
Y1 - ISO Factor <sup>5</sup>	4.65
Y2 - ISO Factor <sup>6</sup>	3.05
Reference Thermal Speed Rating (Grease)	330
Reference Thermal Speed Rating (Oil) <sup>7</sup>	380



# HFG INTERNATIONAL A/S

Cg - Geometry Factor <sup>8</sup>	0.1257
-----------------------------------	--------