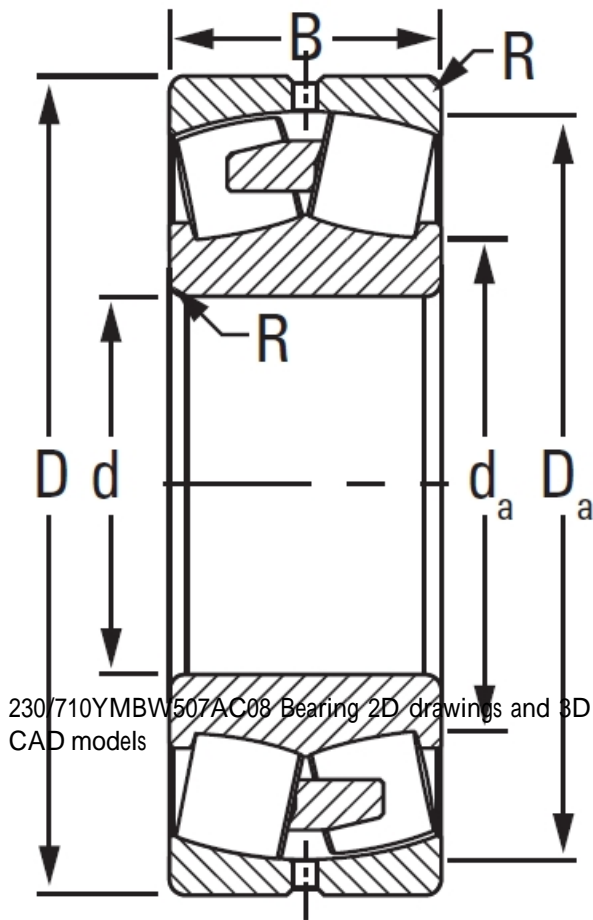


## 230/710YMBW507AC08 TIMKEN Fafnir Spindle Angular Contact Ball Bearings

Bearing No. 230/710YMBW507AC08



230/710YMBW507AC08 Bearing 2D drawings and 3D CAD models

Design Unit	METRIC
Bearing Weight	658.800 Kg
Cage Type	YMB
UPC Code	087796228504
Cage Material	Brass
d	710.000 mm
D	1030.000 mm
B - Inner Ring Width	236 mm
B - Outer Ring Width	236.000 mm
R - Inner Ring To Clear Radius <sup>1</sup>	6.000 mm
r - Outer Ring To Clear Radius <sup>2</sup>	6.000 mm
da - Inner Ring Backing Diameter	785.000 mm
Da - Outer Ring Backing Diameter	960.000 mm
C0 - Static Radial Rating	16700000 N
C1(2) - Dynamic Radial Rating (Two-Rows)	8370000 N
e - ISO Factor <sup>3</sup>	0.21
Y0 - ISO Factor <sup>4</sup>	3.26
Y1 - ISO Factor <sup>5</sup>	4.86
Y2 - ISO Factor <sup>6</sup>	3.19
Reference Thermal Speed Rating (Grease)	310
Reference Thermal Speed Rating (Oil) <sup>7</sup>	350



## HFG INTERNATIONAL A/S

Cg - Geometry Factor <sup>8</sup>	0.13
-----------------------------------	------